

ET

Main application

Option Control valve for mid-sized excavator.

Features

1. Suitable for additional dozer section, 2-piece-boom section.
2. Incorporated Pump port and Tank port and Carry-over port into compact-monoblock
3. Pressure resistance as same as main control valve.

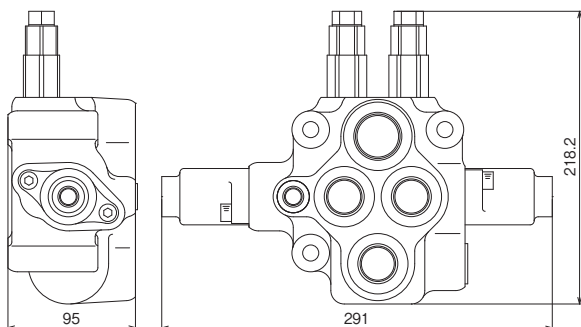


ET25

Specification		ET22	ET25
Structure		Monoblock	Monoblock
Number of pump		1	1
Max.pressure	MPa	34.3	34.3
Rated flow	L/min	160	260
Spool control	Manual	×	×
	Pilot	○	○
Number of section		1	1
Additional section		×	×
Function	Port relief valve	○	○
	Signal circuit	○	×
	Additional pump	×	○
	carry-over	×	○
Unit Weight	kg	10	15
Applicable excavator weight	ton	11~16	16~24

Out line dimensions

ET22



ET25

